

DWS-4-ZW

Assembly and operating instructions

03.00/ENG/February 2022

HA90135102



Hotraco Group
Stationsstraat 142
5963 AC Hegelsom
The Netherlands

Read the instructions prior to performing any task!

Assembly and operating instructions (original)



Hotraco Agri BV
T +31 (0) 77 327 50 20
E info@hotraco-agri.com
W www.hotraco-agri.com

1 Introduction

The DWS-4-ZW is an animal weighing system. Together with a controller, it is possible to weigh cocks and/or hens automatically.

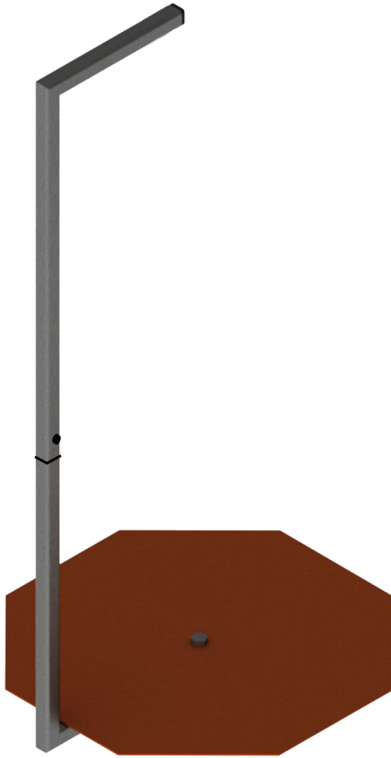


Fig. 1: DWS-4-ZW

2 Safety

2.1 Introduction to Safety

- First read the Safety guide that you have received with this product before you install or operate this product.
- This manual contains the information required to install, operate and maintain this product. Read the information and instructions thoroughly before use.
- This product is covered by the warranty and liability regulations laid down in documents including the manufacturer's general terms of sale governing the contract concluded for the delivery of this product.

2.2 Description of the Signal Words

This document has safety-related and other important messages. Signal words and safety symbols describe the types of messages.



DANGER!

Indicates a hazardous situation which, if not avoided, will cause death or serious injury.

The safety symbol shows the type of hazard.



WARNING!

Indicates a hazardous situation which, if not avoided, could cause death or serious injury.

The safety symbol shows the type of hazard.



CAUTION!

Indicates a hazardous situation which, if not avoided, could cause minor or moderate injury.

The safety symbol shows the type of hazard.



NOTICE!

Indicates a hazardous situation which, if not avoided, could cause machine, property or product damage.



Indicates more information, suggestions and recommendations.

3 Installation


NOTICE!

- Use a waterproof junction box, a KK-7P for example, to connect/extend the load cell cables.
- Make sure that the connection cables, the junction box and the CAN-IO-LCA / LCA have a distance of minimum 1 meter to any high-voltage cables. When load cell cables must cross high-voltage cables, this must occur in a perpendicular way.
- Moisture has a negative effect on the insulation resistance. Thus, make sure that all the entry points are fully sealed. Put the sealant on the cable entries.



Install the LCA or CAN-IO-LCA adjacent to the DWS-4-ZW.

Technical Specifications

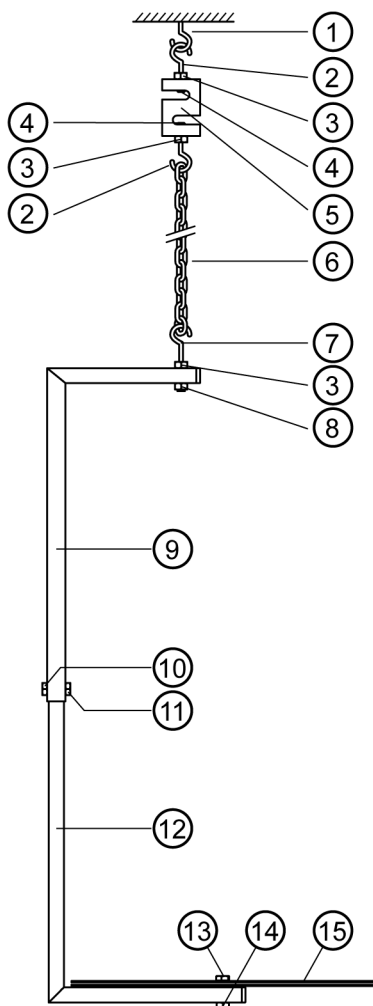
Electrical	
Power supply	10 Vdc
Output signal	± 2 mV/V

Mechanical	
Dimensions of weighing platform	430 mm x 400 mm
Height of mechanical weighing unit	Approx. 840 mm
Protection degree of housing	IP67
Weighing range	0 - 12 kg

Compliance	
EU Directives	See the Declaration of Conformity for this product

Assembly Instructions

Personnel: Installer



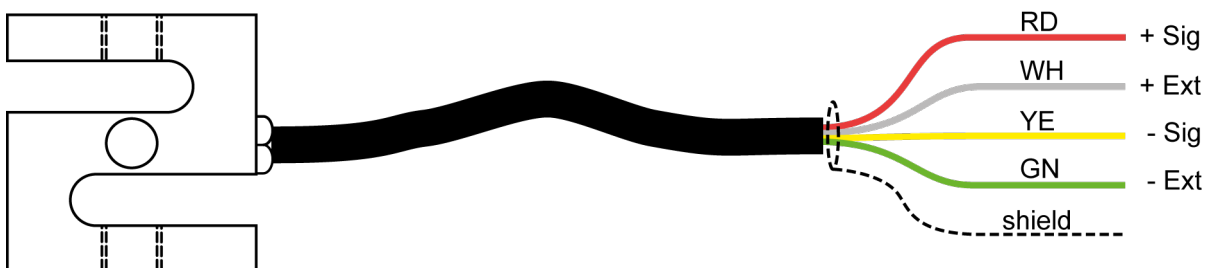
- ① Screw hook 200 mm
- ② Screw hook M8 x 60
- ③ Nut M8
- ④ Insert M8 - M12
- ⑤ Load cell
- ⑥ Chain
- ⑦ Screw hook M8 x 90
- ⑧ Locknut M8
- ⑨ Upper part
- ⑩ Lock nut M6
- ⑪ Bolt M6 x 30
- ⑫ Lower part
- ⑬ Bolt M10 X 35mm
- ⑭ Lock nut M10
- ⑮ Platform

i

- The DWS-4-ZW must be installed soundly to get accurate weighing results.
- The location in the house has an effect on the number of weighings.
- The animals must be able to jump on the platform.

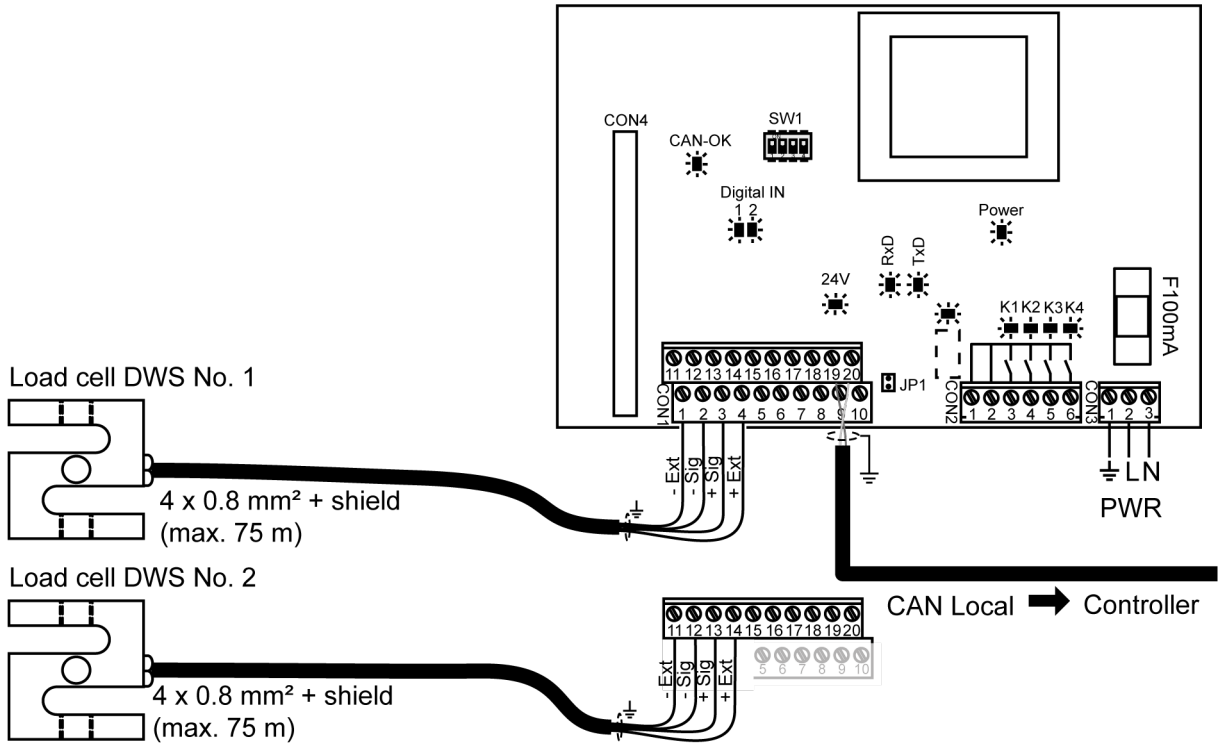
Wiring Diagram - General

Personnel: Installer



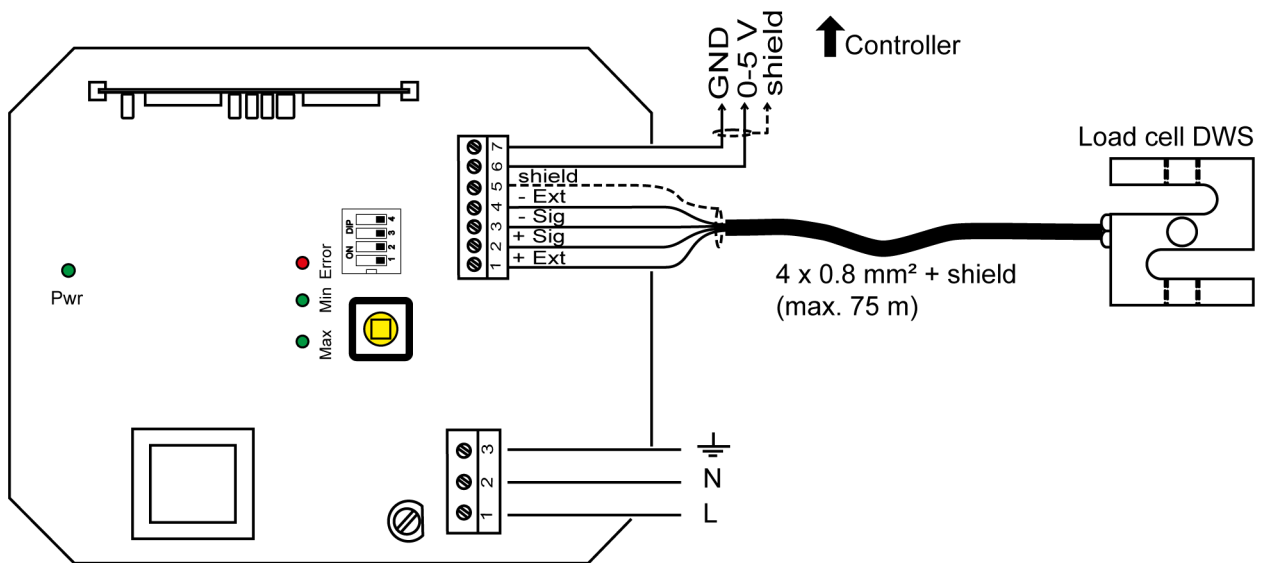
Wiring Diagram - CAN-IO-LCA

Personnel: Installer



Wiring Diagram - LCA (0-5 V)

Personnel: Installer



4 Operation

Operating Instructions

The controller determines when the DWS-4-ZW is in operation. When it is in operation, we recommend that you do a regular check on the weighing results:

- On the controller, do a daily check on the number of weighings per animal weighing unit.
The animal behavior, the number of animals, and the age of the animals, for example, give the number of weighings.
- On the controller, do a daily check on the average weight of the animals. When the average weight is not what you expected, then it is recommended to do a check on the system:
 - Is the position of the weighing system correct?
 - Is the height of the weighing system correct?
 - Is the platform clean enough?
- The settings of the parameters have an effect on the weighing results. When the lower and upper limits for the weighings are too small, for example, many valid weighings are removed. It is also possible that the difference with the set curve is too large, so that many valid weighings are removed. This applies only to weighings that are based on a set weight.
- When after one or more flocks, the average weight that the controller calculates differs consistently from the average weight that the poultry processing plant calculates, then you can set a correction factor. Only set the correction factor when you start a new flock.

5 Maintenance



Fig. 2: No high pressure cleaning



NOTICE!

Too much water can damage the load cells.

- Don't use high pressure cleaner to clean load cell.
- Never put the load cell fully into water.
- Never spray water or a detergent directly onto a load cell.

Clean the DWS-4-ZW regularly. For example when the house is empty after a flock was moved out.

Clean DWS-4-ZW platform when it is not attached to the load cell.