



Technical data

Voltage	U	230	V
Phase		1	~
Frequency	f	50	Hz
Speed	n	1450	RPM
Power consumption	P _e	260	W
Nominal current	I _{nom}	1.2	A
Maximum current	I _{max}	2.0	A
Cos φ		0.94	
Capacitor		10/400	μF/V
Ambient temperature	T _{amb min/max}	-25...40	°C
Insulation Class		CL.F	
IP Class		IP55	
Sound pressure level (2 m)	L _{p (meas.)}	65	dB(A)
Sound pressure level (7 m)	L _{p (calc.)}	54	dB(A)
Weight		14.8	kg
Packing dimensions		600x600x400	mm

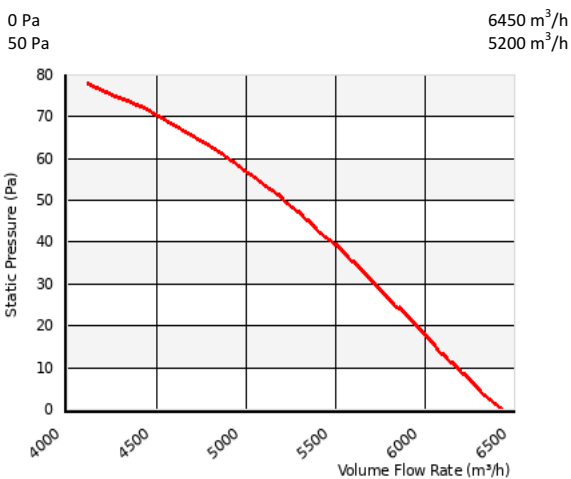
Fan details

Impeller blades	4
Impeller type	3
Impeller system	C
Impeller material	PP

Control options

Triac controller	Yes
Transformer	Yes
Frequency drive	No

Characteristics



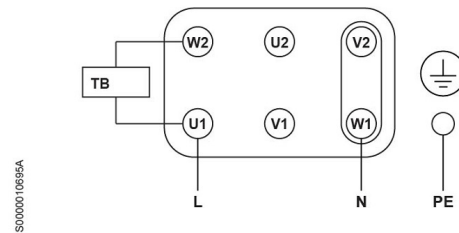
Please note: Picture may deviate from original product

Approval(s)



Wiring diagram

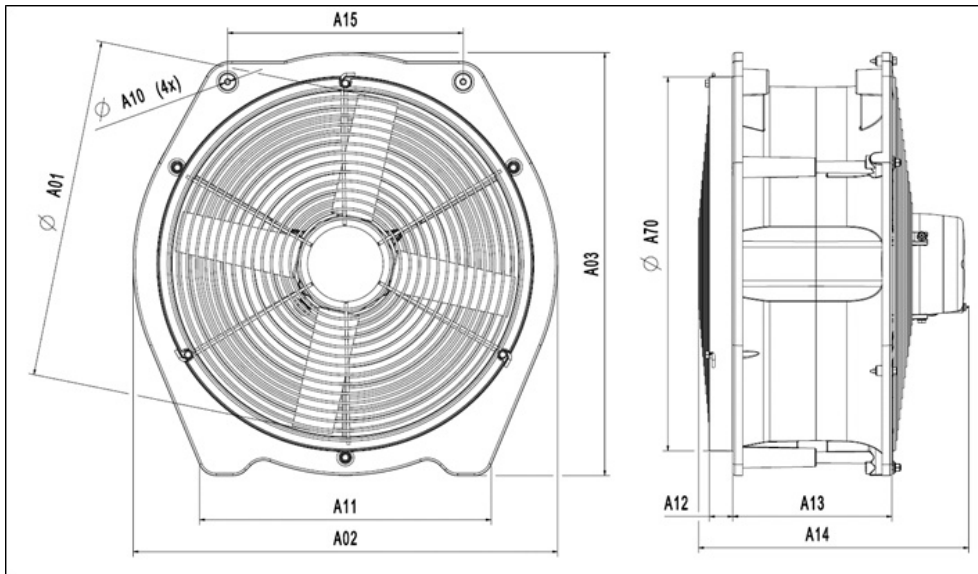
BA01 - 1 Phase - Standard - CCW



Article number: T4E45BAM81100

Circulation fans

Dimensions



A01:	472 mm
A02:	587 mm
A10:	6.5 mm
A11:	403 mm
A12:	33 mm
A13:	220 mm
A14:	374 mm
A15:	326 mm
A70:	520 mm